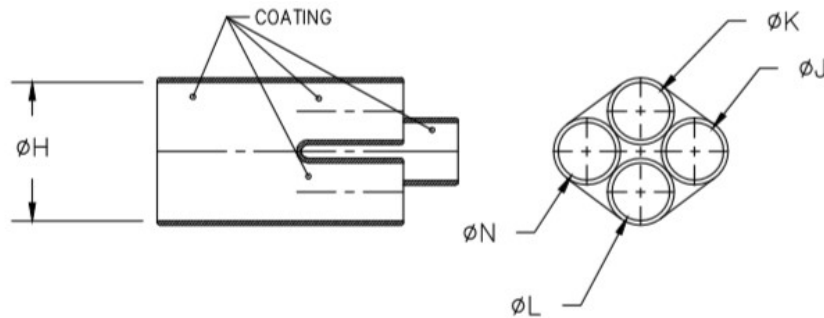


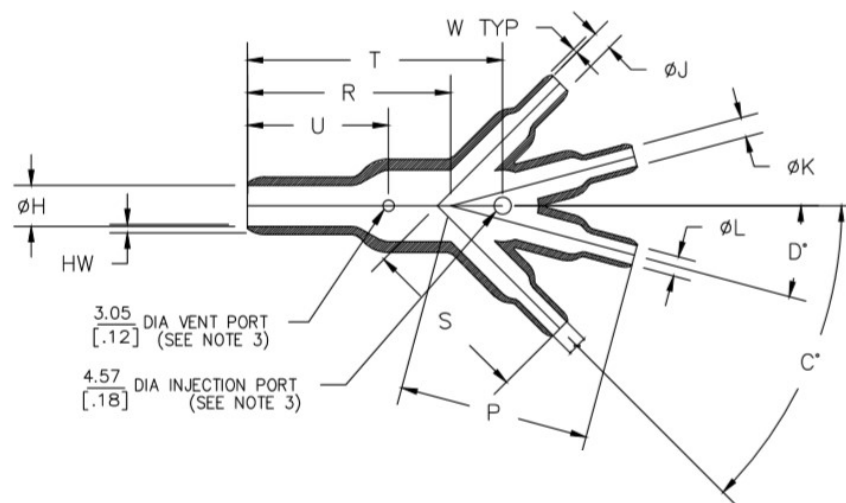
## Moulded Parts 562A011 to 562A067 (1 to 4 – Transition boot)

These moulded parts or heat shrink boots are used for mechanical protection and cable strain relief. This version is ideal for cable harness applications where cable branches and breakouts are required. Our moulded parts combine an easy and quick installation with high electric strength, mechanical toughness and chemical and environmental resistance. These moulded parts are available with or without coating.

As supplied



After heating



### Dimensions in mm

Injection and vent port available only on request

Part number	Inside diameter (coating reduces $\phi$ max. 1.5mm)				P	R	S	T	U	HW	W
	As supplied		After heating								
	H	J, K, L + N	H	J, K, L + N	Tolerance +/- 10%					+/- 20%	
562A011	13.2	6.6	6.9	6.6	24.1	38.4	24.1	43.9	20.0	1.52	1.02
562A022	19.3	9.4	9.7	9.4	35.6	36.1	32.0	43.2	23.1	1.78	1.02
562A032	19.3	13.2	9.7	13.2	49.3	36.1	45.0	50.5	25.4	1.78	1.52
562A043	26.9	13.2	13.0	13.2	49.3	51.8	45.0	65.8	33.5	2.54	1.52
562A054	38.6	19.3	18.5	19.3	71.9	74.9	65.3	95.3	46.5	3.05	1.78
562A067	55.6	26.9	26.7	26.9	101.6	108.5	92.5	135.1	65.5	4.57	2.54

## Wärmeschrumpftechnik

### Material (not all combinations available)

Ordering Code	Material	Operating temperature range
-3	Polyolefin, semi-rigid	-55°C to +135°C
-4	Polyolefin, flexible	-55°C to +135°C
-12	Fluoroelastomer, flexible	-55°C to +200°C
-25	Elastomer, fluid resistant	-75°C to +150°C
-100	Polyolefin, halogen free	-30°C to +105°C

### Coating, Adhesive

Ordering code	Material	Operating temperature range
/42	Polyamide, hot-melt	-20°C to +60°C
/86	High performance, hot-melt	-55°C to +120°C
/225	Epoxy/Polyamide	-75°C to +150°C

### Colour

Ordering Code	Colour
-0	Black